

Dual tank whole house filtration system

Ion Exchange, absorption and oxidation technology

Hardness, chemical contaminants and iron/manganese removal system



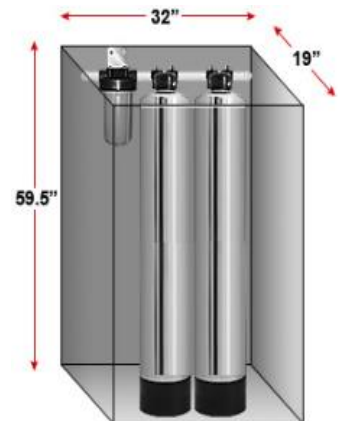
Why are people filtering out *hardness* and from their water?

Water is hard when it contains minerals like magnesium and calcium. You may see staining on your sinks, tubs, showers, and clothing. You may also notice less lather from your shampoos and soaps and even a feeling of film on your skin. Hard water causes a higher risk of lime scale deposits in household water systems. Due to this lime scale build-up, pipes are blocked and the efficiency of hot boilers and tanks is reduced. Water is softened or conditioned by replacing hard ions like magnesium and calcium with softer sodium or potassium ions. On-Demand initiated softeners regenerate automatically using on board computer, and only when it sense softening capacity is low.

All components are the highest quality in the industry and NSF approved. Due to patented Vortech Technology system performance is greater than any other water softener on the market today.

Benefits of Iron, Manganese and sulfur free water

- No more Iron, Manganese stains or rotten-egg odors.
- Well water rich in manganese can be the cause of excessive manganese intake and can increase bacterial growth in water.
- Reduces staining of fixtures and clothing
- Better tasting water from every tap in your home.
- Softer skin and hair.
- Backwashing will insure the lasting filtration results you expect when removing iron, manganese and sulfur.
- Limited Lifetime Warranty on tank and parts.



What does activated carbon remove from water?

Activated carbon or carbon adsorption process is used for removing various organic substances like Oils, Radioactive Compounds, Petroleum, Hydrocarbons, Poly Aromatic Hydrocarbons and various halogenated compounds like Chlorine, Fluorine, Bromine and Iodine. Apart from organic compounds it also removes inorganic compounds like Arsenic, Cadmium, Chromium, Zinc, Lead, Mercury, Copper, etc.

Whole House Multi Stage, Double tank Water Filtration System is warranted for 10 years on electronic automatic valves, 5 years on system performance, and 10 years on media tanks.

Manufactured and assembled in USA



Phone: (949) 285-5019

